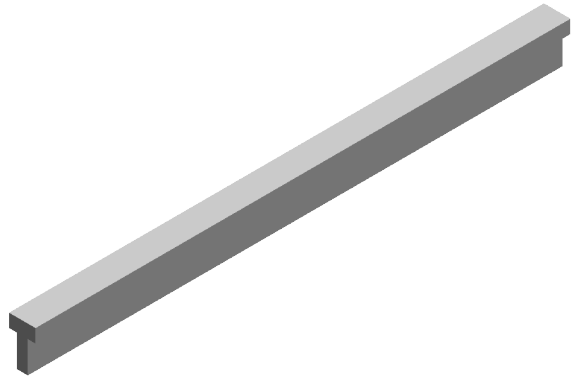
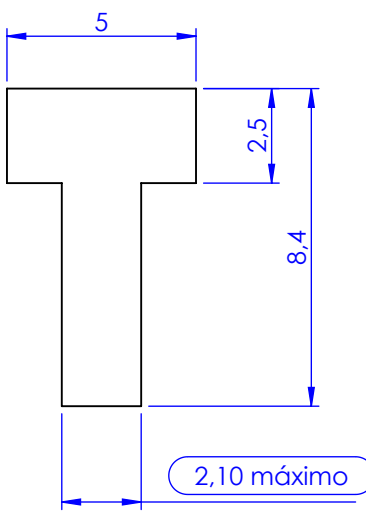
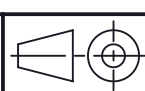



The information contained in this drawing is the sole property of Merefesa. It must not be copied or used for production or communicated to a third party, without the expressed written permission of this company.

Rev.	Date	Checked	Description
			
			

Tolerances: ISO-3302-1:1996 CLASS E2			Dim.: 5x8,40mm	Material/Aditive: VMQ SILICONE
			Color: Translucent	
	Date	Name	MOQ:	Hardness: 70 Sh A ±5
Designed	30/08/2016	T. C.	Tool:	Weight: 31.4 g/m
Verified	30/08/2016	R. J.	File Name: P40965LL	
Approved			Customer Ref.:	
Production			Title: NUEVA VERSIÓN RESPECTO A P965AP	
Quality				
				
				Sheet: 1/1